

WARRANTY CARD



Planet Power Tools Pvt. Ltd.

Name of Purchaser

Address

Product..... **ROTARY HAMMER**

Model No **PH 22**

Sl. No..... Date of Purchase

Invoice No..... Armature No

Dealers Stamp _____

Signature



PH 22

22 mm Rotary Hammer

INDUSTRIAL

HANDLING INSTRUCTIONS



Read, Understand Carefully & Follow These Instructions While Operating Tool.

India's Leading Power Tool Brand

Manufactured and Marketed by :

PLANET POWER TOOLS PVT. LTD.

GIDC Ind. Estate, P.O. Kabilpure, Navsari - 396424, Gujarat.

For Customer Care Number : (022) 4067 6105.

E_mail : mumbai@planetpowertools.com



WARRANTY

CONGRATULATIONS; YOU ARE NOW A PROUD MEMBER OF THE PLANET POWER PARIVAR

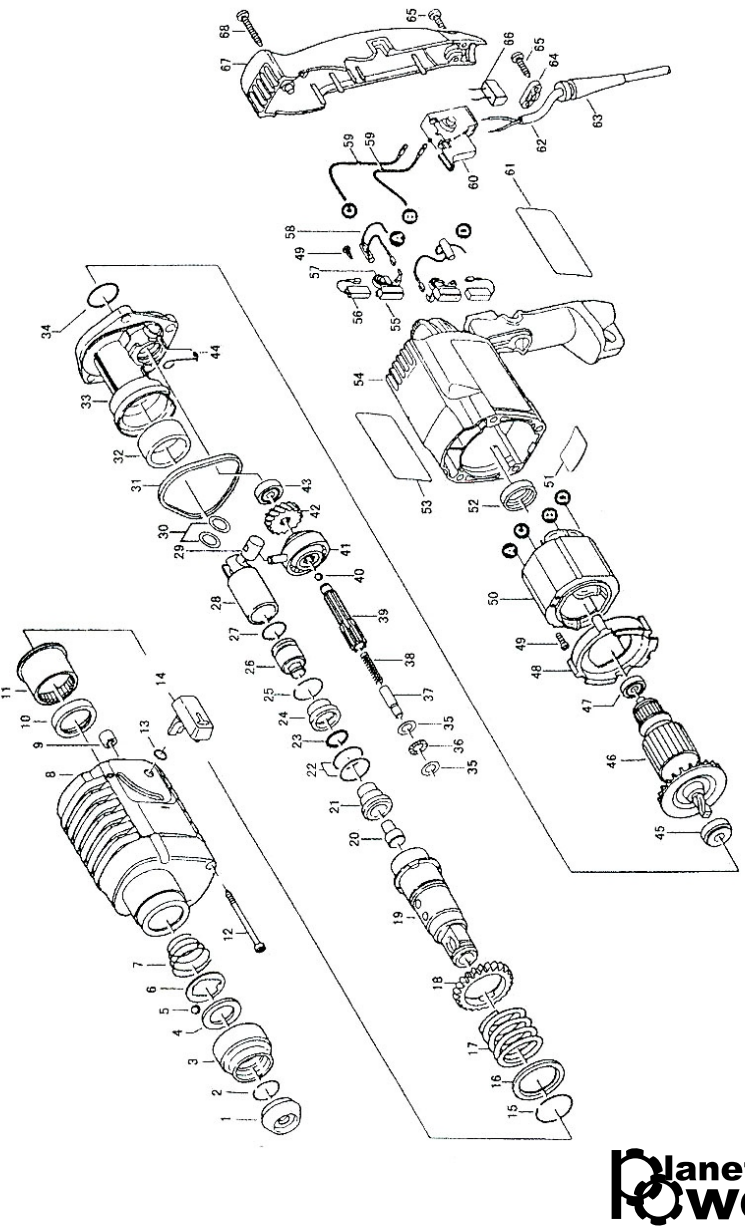
All the tools manufactured by Planet Power Tools Pvt Ltd undergo a series of rigorous inspection procedures ensuring that you only get a world class power tool.

All Products manufactured by Planet Power Tools Pvt. Ltd. are covered by an international warranty valid for six (6) months from the date of purchase. This comprehensive warranty® covers the parts as well as any defects arising out of faulty manufacturing of the tool.

®The Warranty **DOES NOT** apply to:

- Components subject to normal wear and tear e.g. Carbon Brushes, Brush holders, plug and cord assembly, drill chucks, bearings, flanges etc.
- Unless expressly stated; any and all attachments supplied with the tool.
- Unauthorised repairs, alterations and modifications.
- Damage caused due to dust, slurry, and any foreign objects as well as due to improper use or an accident
- Damage due to voltage fluctuations

PH 22



MAINTENANCE AND CLEANING

Always disconnect the plug from the power socket before carrying out any work on the appliance.

always keep the ventilation slots unobstructed and clean. Clean the tool mount daily.

Exchanging dust cap

It is important to replace a damaged dust cap immediately, since the ingress of dust into the tool mount can lead to functional faults. Pull back locking sleeve and pull of dust cap diagonally. If the machine fails despite the care taken in manufacture and testing, repair should be carried out by an authorised customer services agent for Planet Power Tools.



For Your Safety



This machine can only be operated safely when the operating and the safety instructions have been completely read and strictly adhered to.



Do not use the tool if damp or if the surroundings are damp



Always inspect cable and plug before using machine.
Only have damage repaired by a qualified professional.

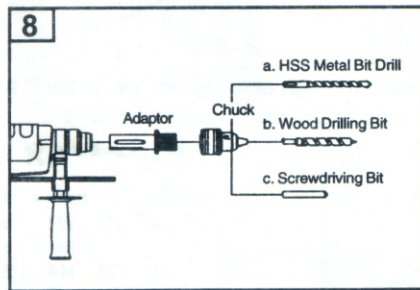
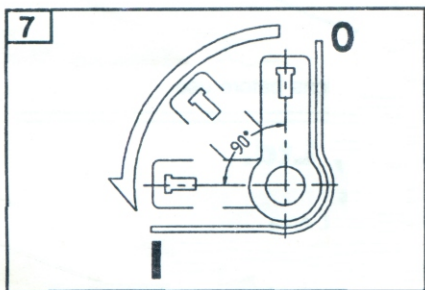
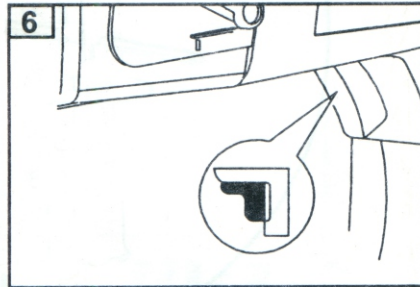
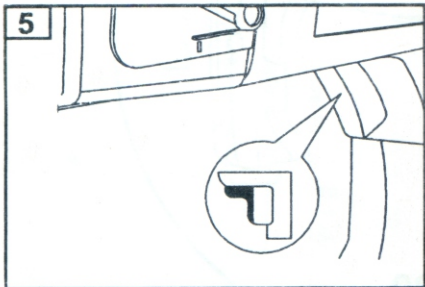
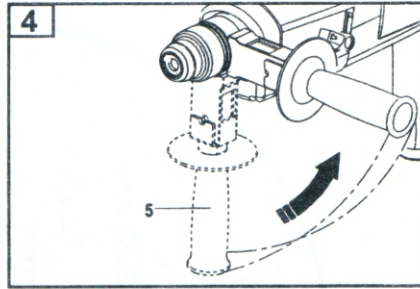
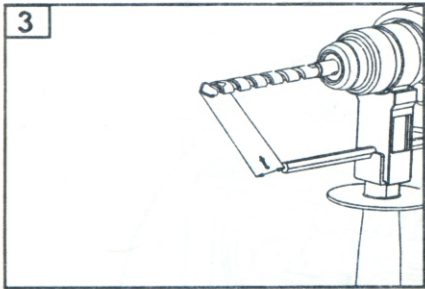
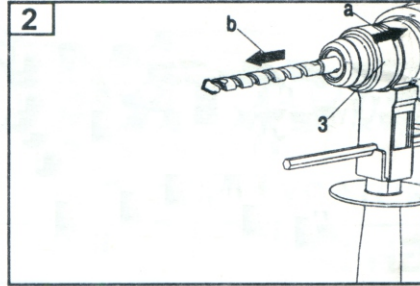
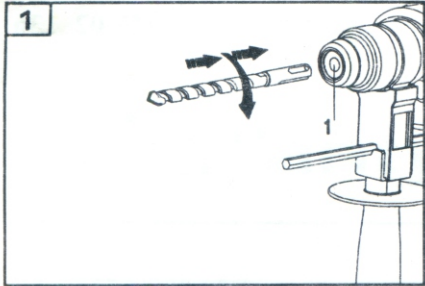


Always wear goggles, protective gloves and robust shoes when using the appliance.
Wear ear protection to prevent damage to your hearing.

PART LIST

ITEM NO.	DESCRIPTION
1	Dust Cover
2	Retaining Ring
3	Sleeve
4	Spacer
5	Steel Ball
6	Steel Ball Baffle / Washer
7	Spring
8	Gear Case
9	Needle Bearing Small
10	Cased Oil Seal
11	Needle Bearing Big
12	ST-Screw
13	O-ring
14	Knob
15	Steel Wire Baffle For Shaft
16	Flat Washer
17	Compressing Spring
18	Clutch Gear
19	Spindle
20	Impact Rod / Bit Piece
21	Bush On The Rod
22	O-ring
23	O-ring
24	Locating Bush On Rod
25	Steel Wire Baffle For Hole / Steel Ring
26	Ram
27	O-ring (Ram)
28	Piston
29	Piston Pin
30	Shim
31	Rubber Seal Ring
32	Oil Bearing / Bush Bearing
33	Casting
34	O-ring
35	Thrust Washer

ITEM NO.	DESCRIPTION
36	Thrust Needle Support Components
37	Intershaft Pin
38	Spring
39	Intershaft
40	Steel Ball
41	Wobble Bearing
42	Bevel Gear
43	Ball Bearing 608
44	Mode Lock Spring
45	Ball Bearing 629
46	Armature
47	Ball Bearing 607
48	Fan Baffle
49	ST-Screw
50	Field Coil
51	Data Nameplate
52	Bearing Bush
53	Brand Sticker
54	Housing
55	Brush Holder
56	Carbon Brush
57	Brush Spring
58	Inductance
59	Lead Wire
60	Switch
61	Specification Nameplate
62	Supply Cord
63	Cord Armor
64	Cord Clamp
65	ST-Screw
66	Capacitor
67	Handle Cover
68	ST-Screw
69	Side Handle Assembly



Wipe plastic parts with a soft cloth lightly dampened with soapy water.

- 25. Consult an authorised service agent in the event of power tool failure.
- 26. Use only original PLANET POWER replacement parts.
- 27. The tool should only be disassembled for replacement of carbon brushes.

PRECAUTIONS ON USING ROTARY HAMMER

- 1. Before drilling into the wall, floor or ceiling thoroughly confirm that no items such as electric cables are buried inside.
- 2. Always hold the body handle and side handle of the power tool firmly. Otherwise the counterforce produced may result in inaccurate dangerous operation.

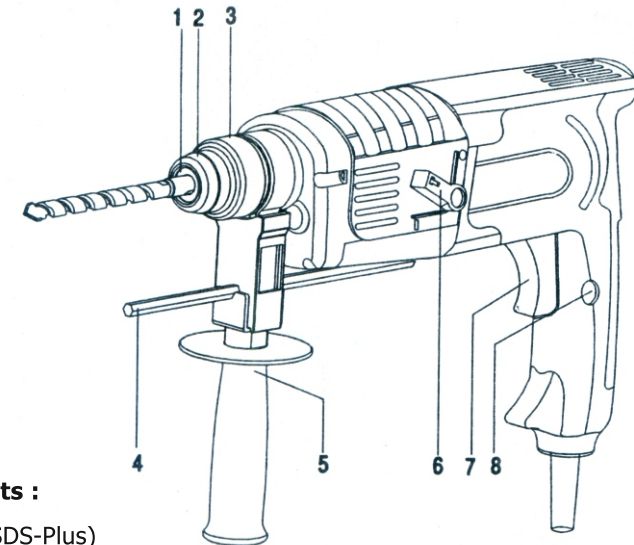
and it frees both hands to operate tool.

12. Don't overreach. Keep proper footing and balance at all times.
13. Maintain tools with care. Keep tools sharp and clean for better and safer performance. Follow instructions for lubricating and changing accessories. Inspect tool cords periodically and if damaged, have repaired by authorised service facility. Inspect extension cords periodically replace if damaged. Keep handles dry, clean and free from oil and grease.
14. Disconnect tools when not in use. Before servicing and when changing accessories, such as bits, cutters.
15. Remove adjusting keys and wrenches. From habit of checking to see that keys and adjusting wrenches are removed from tool before turning it on.
16. Avoid unintentional starting. Don't carry plugged in tool with finger on switch. Be sure switch is off when plugging in.
17. Use extension cords. When tool is used outdoors, use only extension cords intended for use outdoors and so marked.
18. Stay alert. Watch what you are doing. Use common sense. Do not operate tool when you are tired.
19. Check damaged parts. Before further use of the tool, a guard or other part that is damaged should be carefully checked to determine that it will operate properly and perform its intended function. Check for alignment of moving parts, binding of moving parts, breakage of mounting and any other conditions that may affect its operation. A guard or other part that is damaged should be properly repaired or replaced by indicated elsewhere in this instructions manual. Have defective switches replaced by authorised service center. Do not use tool if switch does not turn it on and off.
20. Do not use power tools for applications other than those specified in the handling instructions.
21. To ensure the designed operational integrity of power tools do not remove installed cover or screws.
22. Do not touch movable parts or accessories unless the power source has been disconnected.
23. Use your tool at lower input than specified on the nameplate; otherwise the finish may be spoiled and working efficiency reduced due to motor overload.
24. Do not wipe plastic parts with solvent. Solvents such as gasoline, thinner, benzene, carbon tetrachloride, alcohol, ammonia and oil containing chloric annex may damage and crack plastic parts. Do not wipe them with such solvent.

Technical Data

Model No.	: PH 22
Input Power	: 800 Watt
Chuck Type	: SDS Plus
Drilling Capacity	
- Concrete	: 22 mm
- Steel	: 13 mm
- Wood	: 30 mm
No Load Speed	: 0 - 900 rpm
Impact Rate	: 0 - 4100 ipm
Impact Energy	: 3 Joules
Voltage	: 230 V~
Weight	: 2.4 kg.

The machine is intended for hammer drilling in concrete brick and stone. It is likewise suitable for drilling without impact in wood, metal, ceramic and plastic.



Product elements :

1. Tool Holder (SDS-Plus)
2. Dust protection cap
3. Locking Sleeve
4. Depth Stop
5. Auxiliary Handle
6. Operational mode selection switch
7. On/Off Switch
8. Locking Button

TOOL CHANGING :

SdS-Plus Tools

The SDS-Plus tool is designed to be freely movable. This causes eccentricity when the machine is not loaded. However, the drill automatically centers itself during operation. This does not affect drilling precision.

1. Inserting (Fig 1)

Clean and lightly oil the tool before inserting. Insert the dust-free tool into the tool holder 1 with twisting until it latches. The tool locks itself. Check the locking by pulling on the tool.

2. Removing (Fig 2)

Pull the locking sleeve 3 to the rear (a) and hold while removing the tool (b).

3. Depth Stop (Fig3)

Loosen the auxiliary handle 5. Adjust the drilling depth t on the dept stop. Retighten.

4. Auxiliary Handle (Fig 4)

For safety reasons, the machine should be used only with the auxiliary handle 5.

By rotating the auxiliary handle 5 to a comfortable position, a fatigue-free and therefore safe working position can be achieved. Loosen the auxiliary handle 5. Swing the grip to a new position.

Overload Clutch

If the drill bit becomes jammed or caught, the drive to the drill spindle is interrupted. Because of the forces that occur as a result, always hold the machine security with both hands and take a firm stance.

5. Setting the speed (Fig 5 & 6)

By increasing or decreasing the pressure on the on/off switch, the speed can be continuously controlled during operation.

Advantages :

- Slow starting of holes eg., on smooth surfaces or tiles.
- No sliding off the drill when starting the hole
- No splintering of the hole.

The speed must be selected according to the operating mode, the material to be worked and the diameter of the drill.

6. Operating Modes (Fig 7)

The operation of the gearbox for each application is set with model selection switch. Drilling – O position and Hammer Drilling – I position.

Note : Do not shift mode selection switch while running (Fig 7)

7. Tools without SDS-Plus (Fig 8)

To work with tools without SDS-plus (eg., drill bits with cylindrical shafts), a drill chuck with a SDS-Plus adaptor must be inserted into the tool holder (Fig 8).

GENERAL OPERATIONAL PRECAUTIONS

1. Keep work area clean. Cluttered areas and benches invite injuries.
2. Consider work area environment. Don't expose power tools to rain. Don't use power tools in damp or wet locations. Keep work area well lit.
3. Power tools produce sparks during operation. They also spark when switching ON/OFF. Never use power tools in dangerous sites containing lacquer, paint, benzene, thinner, gasoline, gases, adhesive agents, and other materials which are combustible or explosive.
4. Guard against electric shock. Prevent body contact with grounded surfaces. For example; pipes, radiators, ranges refrigerator enclosures.
5. Keep children away. Do not let visitors contact tool or extension cord. All visitors should be kept away from work area.
6. Store idle tools when not in use. Tools should be stored in dry and high or locked-up place out of reach of children.
7. Don't force tool. It will do the job better and safer at the rate for which it was intended.
8. Use right tool. Don't force small tool or attachment to do the job of a heavy-duty tool. Don't use tool for purpose not intended.
9. Dress properly. Do not wear loose clothing or jewellery. They can be caught in moving parts. Rubber gloves and non-skid footwear are recommended when working outdoors. Wear protective hair covering to contain long hair. Use safety glasses. Also use face or dust mask if cutting operation is dusty.
10. Don't abuse cord. Never carry tool by cord or yank it to disconnect from receptacle. Keep cord away from heat, oil and sharp edges.
11. Secure work. Use clamps or a vise to hold work. Its safer than using your hand